



INSTALLATION INSTRUCTIONS

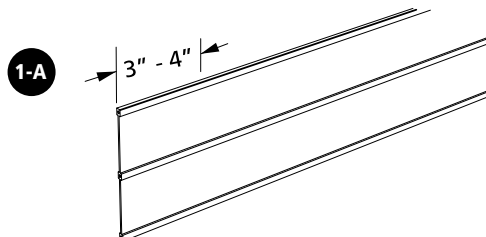
Splice Buckle

for Non-Electric and Electric Fence Systems



STEP ONE: Measure and Mark Rail

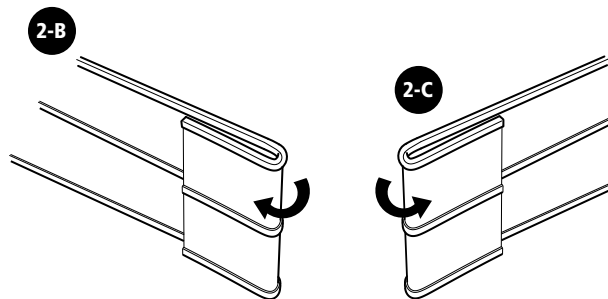
1. Measure back 3" to 4" from the end of both rails and mark as shown in **Illustration 1-A**.



STEP TWO: Bend Rail

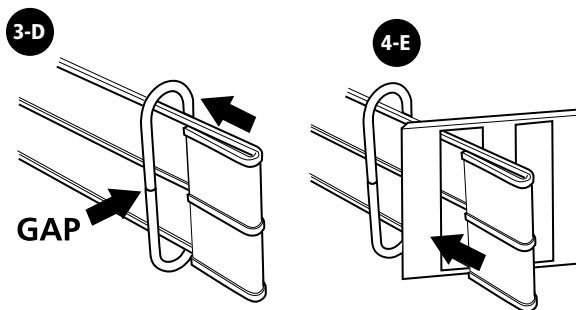
2. Bend each rail back at the mark to create 3" to 4" flaps as shown in **Illustration 2-B and 2-C**.

NOTE: Bends should be made to create flaps on buckle side.



STEP THREE: Place Loop Over Rail

3. Slide the supplied loop over bent rail making sure the gap in the ring is on the same side as the flap as shown in **Illustration 3-D**.

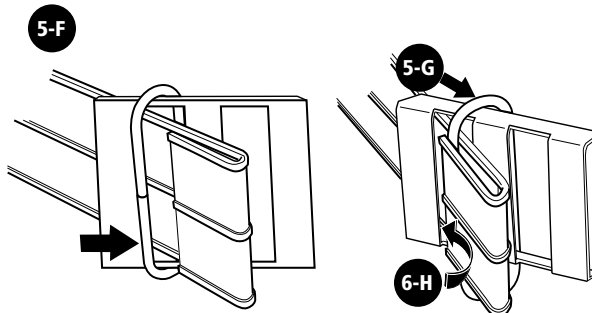


STEP FOUR: Position Splice Buckle

4. Slide the flap and rail all the way through the opening in the Splice Buckle as shown in **Illustration 4-E**.

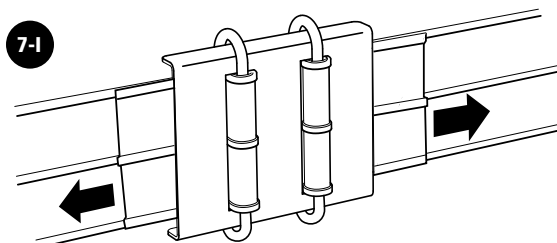
STEP FIVE: Slide Loop Over Splice Buckle

5. Slide the loop over the Splice Buckle, shown in **Illustration 5-F**, then slide loop between flap and rail as shown in **Illustration 5-G**.



STEP SIX: Move Loop Into Crease of Flap

6. Slide the flap back through the opening in the Splice Buckle, shown in **Illustration 6-H**, until the loop rests in the crease of the flap.



STEP SEVEN: Repeat for Other Side

7. Repeat steps three through six on other side and pull tension as shown in **Illustration 7-I**.

